

SOCLE DE RÉHAUSSE



FEATURES

Plinth is designed to higer the cabinet 100 mm up from the floor. Inside is used for cable management and storage for cable bundles. It has 4 side removable covers,at rear side there is brush cable entry. Easy to fix on cabinet

COMPLIANCES

UL and cUL

Surface Treatment : Fosfat coating

Painting : Ral7035 / Ral9005

STANDARDS

*ISO 9001:2000

*TSE:EN 61587-1 Mechanical Structures For Electronic Equipment - Tests For IEC 60917 And IEC 60297

*Climatic and Environment:EN 61587-1/4.2,IEC60068-2-1 ,

IEC60068-2-2 , IEC60068-2-30,

*Static Mechanical Load Lifting:EN61587-1/5.2.1

*Static Mechanical Load Stiffness:EN61587-1/5.2.2

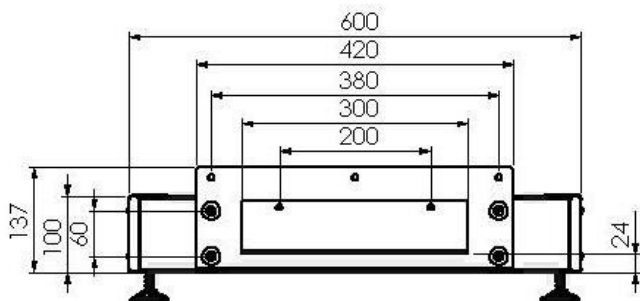
*Dynamic Mechanical Load Vibration and Shock , Impact: EN61587-1/5.3.1,EN61587-1/5.3.3,IEC60068-2-6, IEC60068-2-27,

*Flammability:EN61587-1/6.3

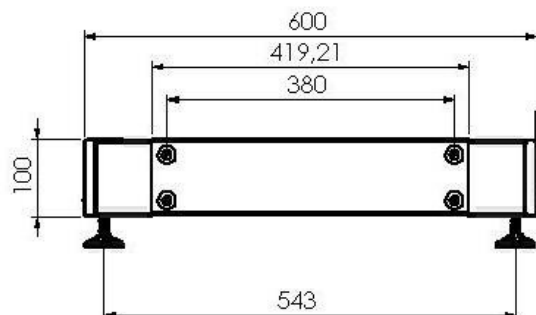
Material Definition and Properties , Thicknesses and Shipment Configuration

Part Definition	Material thickness	Material definition & properties	Shipment Configuration
Plinth Side	1,50 mm	DIN EN 10130 - 99 EREGLI DC-01 6112 CRS	2ea.
Plinth Corner Inner Part	1,50 mm	DIN EN 10130 - 99 EREGLI DC-01 6112 CRS	2ea.
Plinth Corner Outer Part	1,50 mm	DIN EN 10130 - 99 EREGLI DC-01 6112 CRS	2ea.

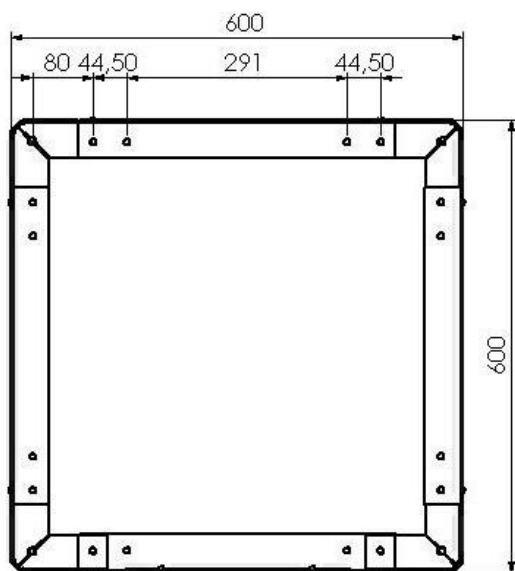
SOCLE DE RÉHAUSSE 10CM 600 X 600



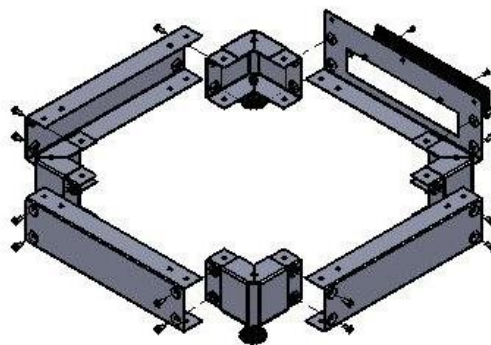
Front View



Side View



Top View



Explode View

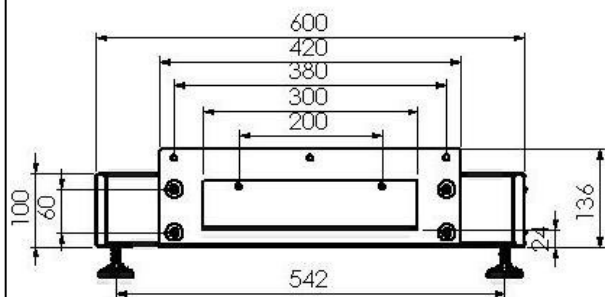
Plinth w=600 mm d=600 mm

MODEL NAME	Product Definition	Dimensions (wxdxh) mm
ROP-REH6060-100-B	Plinth width=600 mm depth=600 mm Universalline	600x600x100

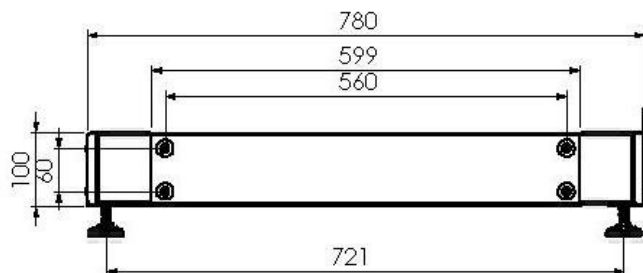
Shipping Data

MODEL NAME	quantity	Shipping Dimension (palette) WxHxD	Net Weight (kg)	Gross Weight (kg)
ROP-REH6060-100-B	1	686x617x150	7,50	9,50

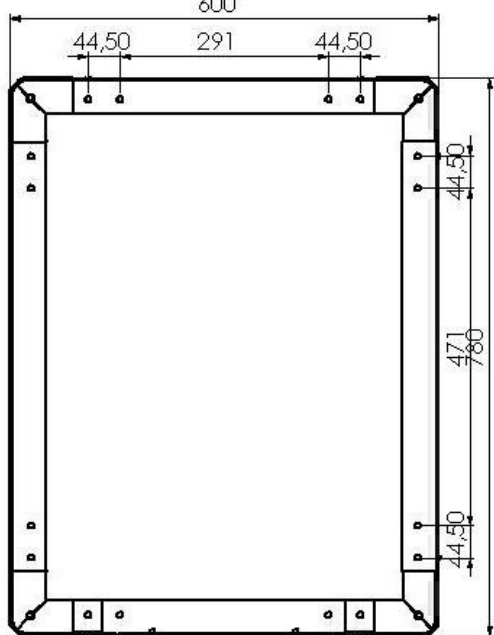
SOCLE DE RÉHAUSSE 10CM 600 X 800



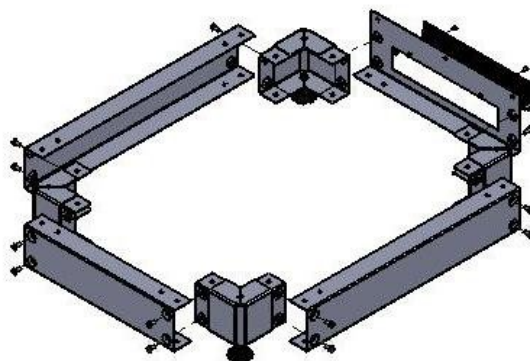
Front View
600



Side View



Top View



Explode View

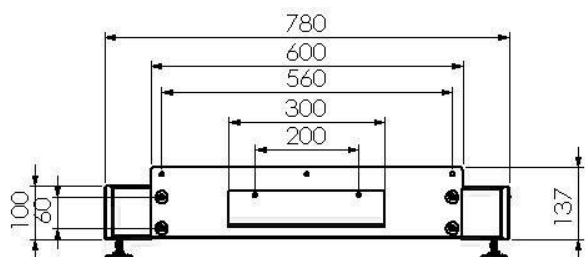
Plinth w=600 mm d=800 mm

MODEL NO	Product Definition	Dimensions (wxdxh) mm
M56PNT_68_B	Plinth width=600 mm depth=800 mm Universalline	600x780x100

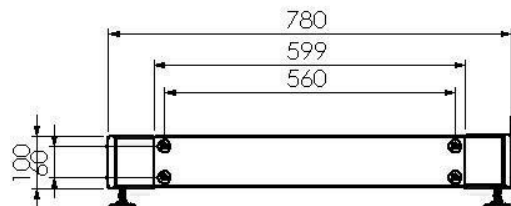
Shipping Data

MODEL NO	quantity	Shipping Dimension (palette) WxHxD	Net Weight (kg)	Gross Weight (kg)
M56PNT_68_B	1	856x617x150	8,100	10,300

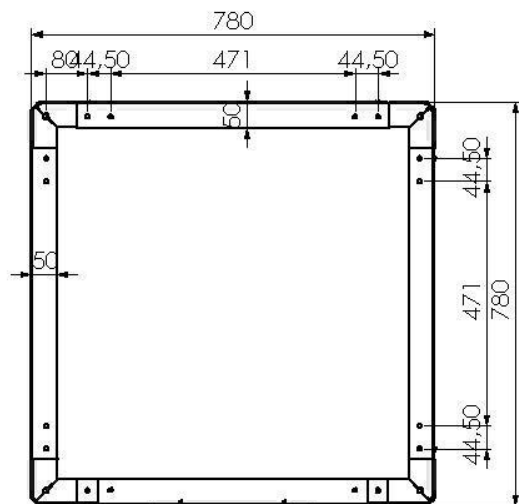
SOCLE DE RÉHAUSSE 10CM 800 X 800



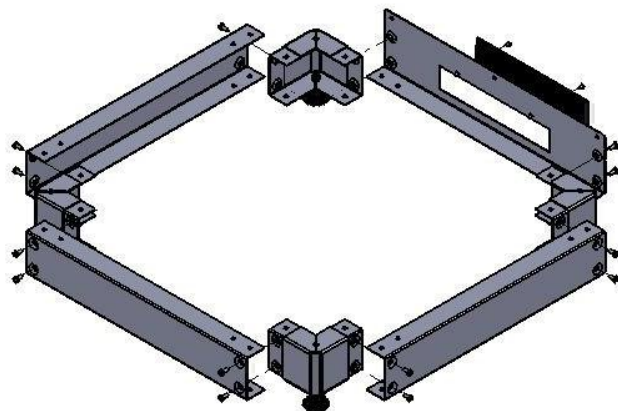
Front View



Side View



Top View



Explode View

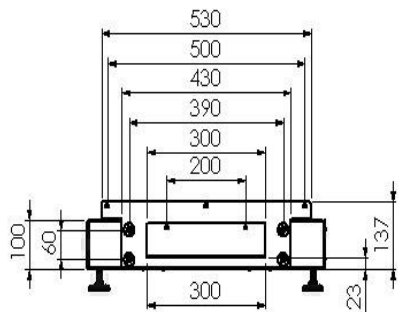
Plinth w=800 mm d=800 mm

MODEL NAME	Product Definition	Dimensions (wxdxh) mm
ROP-REH8083-100-B	Plinth width=600 mm depth=600 mm Universalline	780x780x100

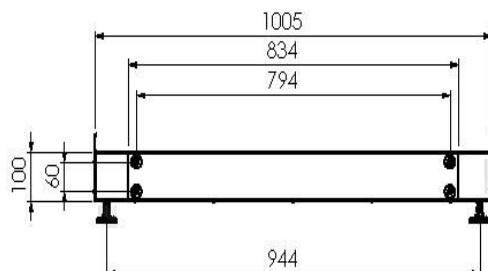
Shipping Data

MODEL NAME	quantity	Shipping Dimension (palette) WxHxD	Net Weight (kg)	Gross Weight (kg)
ROP-REH8083-100-B	1	856x797x150	9,100	11,160

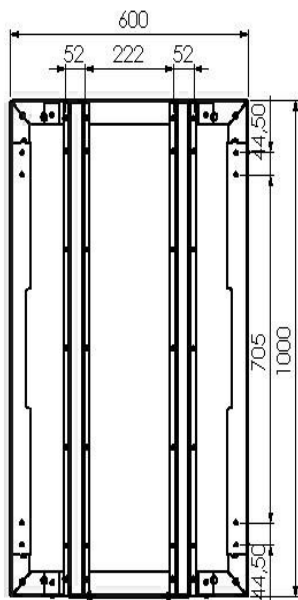
SOCLE DE RÉHAUSSE 10CM 600 X 1000



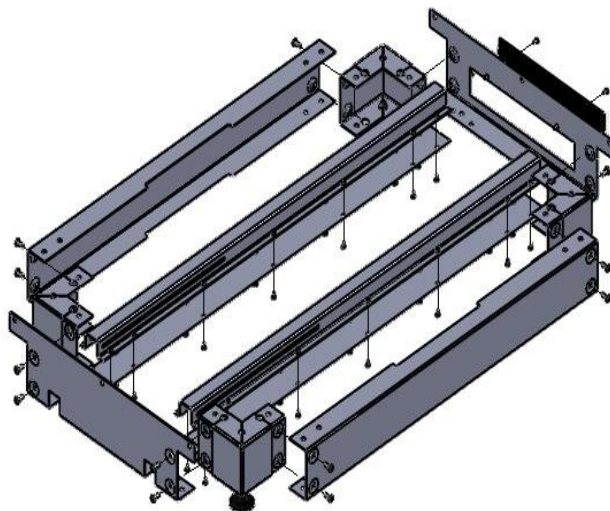
Front View



Side View



Top View



Explode View

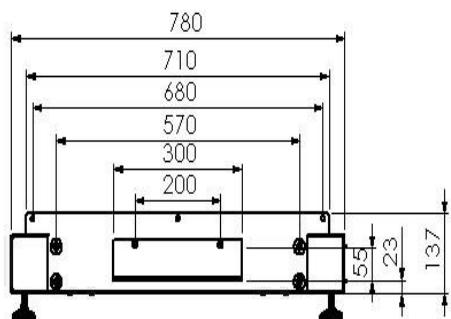
Plinth w=600 mm d=1000 mm

MODEL NAME	Product Definition	Dimensions (wxdxh) mm
ROP-REH80100-100-B	Plinth width=600 mm depth=1000 mm Servermax	600x1000x600

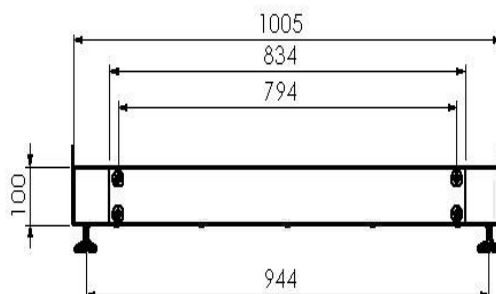
Shipping Data

MODEL NAME	quantity	Shipping Dimension (palette) WxHxD	Net Weight (kg)	Gross Weight (kg)
ROP-REH80100-100-B	1	1038x617x150	16,400	19,200

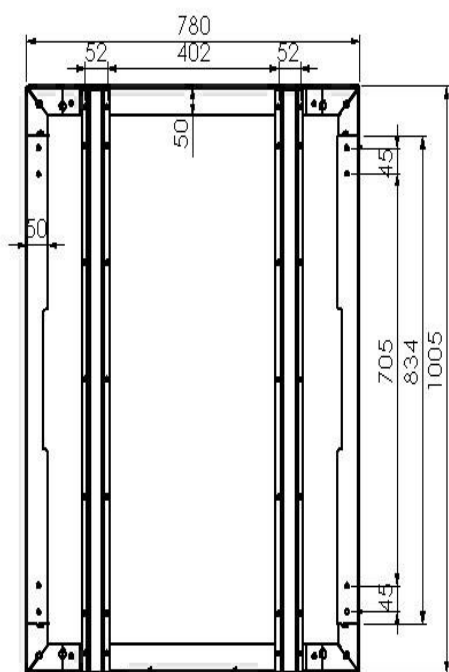
SOCLE DE RÉHAUSSE 10CM 600 X 600



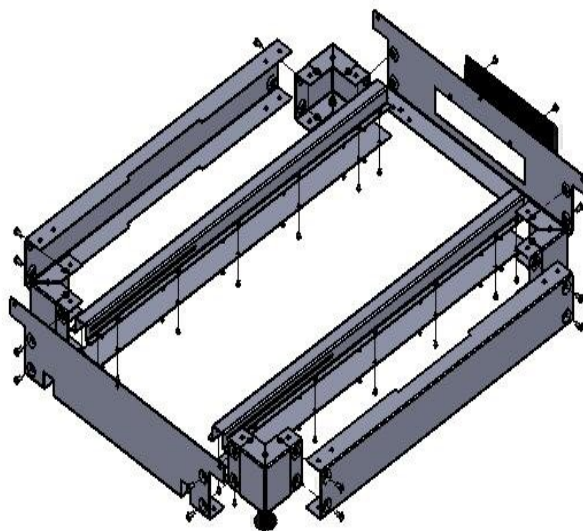
Front View



Side View



Top View



Explode View

Plinth w=800 mm d=1000 mm

MODEL NAME	Product Definition	Dimensions (wxdxh) mm
ROP-REH80100-100-B	Plinth width=800 mm depth=1000 mm Servermax	600x780x100

Shipping Data

MODEL NAME	quantity	Shipping Dimension (palette) WxHxD	Net Weight (kg)	Gross Weight (kg)
ROP-REH80100-100-B	1	1,038x792x150	18,200	21,200