

TIROIR CLAVIER 1U P: 600 AVEC SERRURE



FEATURES

1U , lockable drawer for keyboards up to 410 mm . Wide 19" mount

Adjustable depth

COMPLIANCES

UL and cUL

Load Carrying Capacity: 65 kg

Surface Treatment : Fosfat coating

Painting : Ral7035 / Ral9005

STANDARDS

*ISO 9001:2000

*TSE:EN 61587-1 Mechanical Structures For Electronic Equipment - Tests For IEC 60917 And IEC 60297

*Climatic and Environment:EN 61587-1/4.2,IEC60068-2-1 ,

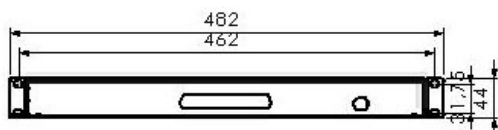
IEC60068-2-2 , IEC60068-2-30,

*Flammability:EN61587-1/6.3

Material Definition and Properties , Thicknesses and Shipment Configuration

Part Definition	Material thickness	Material definition & properties	Shipment Configuration
Inner Case	1,50 mm	DIN EN 10130 - 99 EREGLI DC-01 6112 CRS	1ea.
Outer Case	1,50 mm	DIN EN 10130 - 99 EREGLI DC-01 6112 CRS	1ea.
C-rail	2,00 mm	DIN EN 10130 - 99 EREGLI DC-01 6112 CRS	2ea.

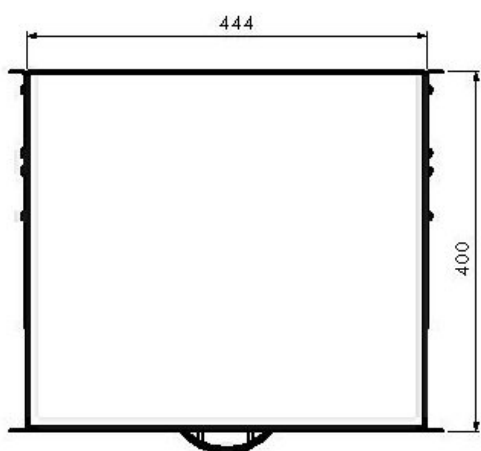
TIROIR CLAVIER 1U P: 600 AVEC SERRURE



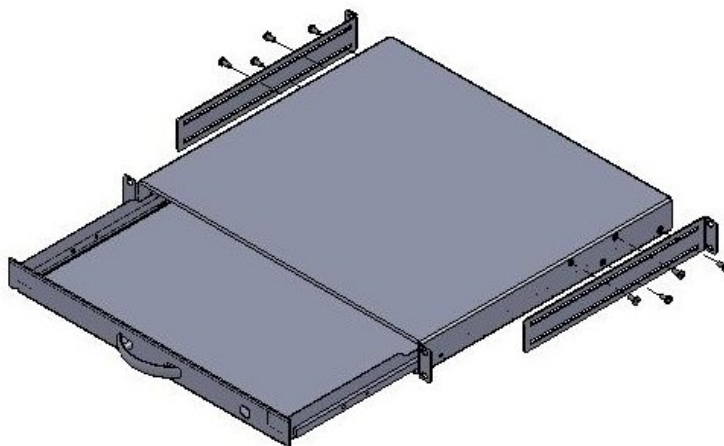
Front View



Side View



Top View



Iso View

Keyboard Drawer

MODEL NAME	Product Definition	Dimensions (wxdxh) mm
RAP-TIR1-60-B	1U 19" Keyboard drawer	483x400x44

Shipping Data

MODEL NAME	quantity	Shipping Dimension (palette) WxHxD	Net Weight (kg)	Gross Weight (kg)
RAP-TIR1-60-B	6	545x430x390	35,700	36,700