

PLATEAU FIXE 1U P:720



FEATURES

4point fixing directly to 19" mounting angles

Vented

Adjustable depth

COMPLIANCES

UL and cUL

Load Carrying Capacity: 100 kg

Surface Treatment : Fosfat coating

Painting : Ral7035 / Ral9005

STANDARDS

*ISO 9001:2000

*TSE:EN 61587-1 Mechanical Structures For Electronic Equipment - Tests For IEC 60917 And IEC 60297

*Climatic and Environment:EN 61587-1/4.2,IEC60068-2-1 ,

IEC60068-2-2 , IEC60068-2-30,

*Static Mechanical Load Lifting:EN61587-1/5.2.1

*Static Mechanical Load Stiffness:EN61587-1/5.2.2

*Dynamic Mechanical Load Vibration and Shock , Impact:
EN61587-1/5.3.1,EN61587-1/5.3.3,IEC60068-2-6,
IEC60068-2-27,

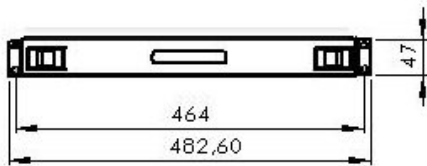
*Earth Bond:EN61587-1/6.2

*Flammability:EN61587-1/6.3

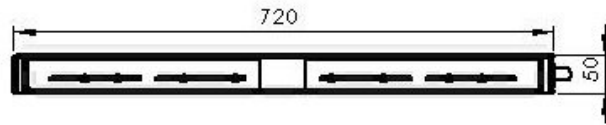
Material Definition and Properties , Thicknesses and Shipment Configuration

Part Definition	Material thickness	Material definition & properties	Shipment Configuration
Fixed Shelf	1,20 mm	DIN EN 10130 - 99 EREGLI DC-01 6112 CRS	1ea.
C-rail	1,50 mm	DIN EN 10130 - 99 EREGLI DC-01 6112 CRS	4ea.

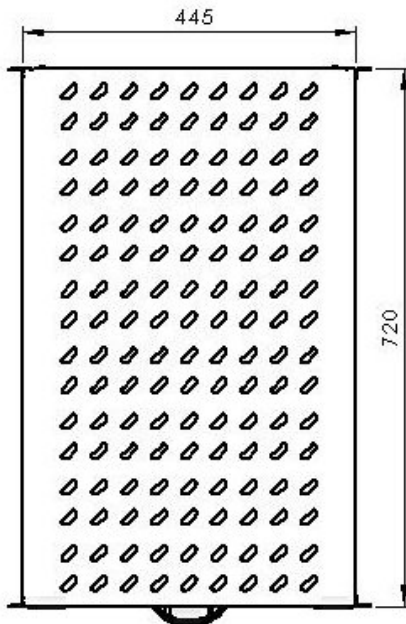
Fixed Shelf – Heavy Duty Technical Drawings



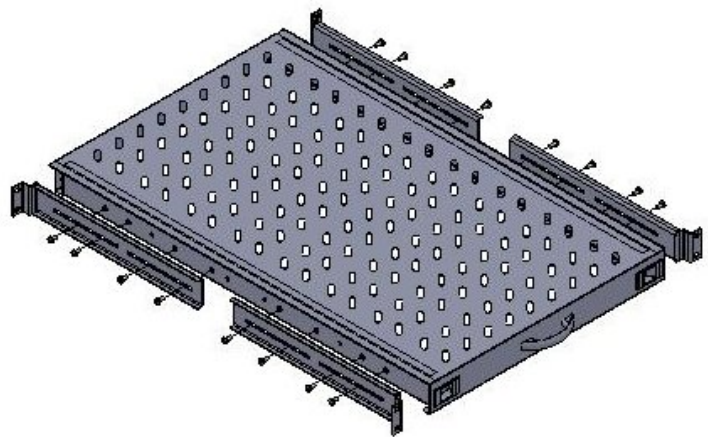
Front View



Side View



Top View



Iso View

Fixed Shelf – Heavy Duty

MODEL NAME	Product Definition	Dimensions (wxdxh) mm
RAP-PL-F-720-1-B	19" Heavy Duty type fixed shelf adjustable in depth	483x720x50

Shipping Data

MODEL NAME	quantity	Shipping Dimension (palette) WxHxD	Net Weight (kg)	Gross Weight (kg)
RAP-PL-F-720-1-B	7	550x440x800	43,862	45,500