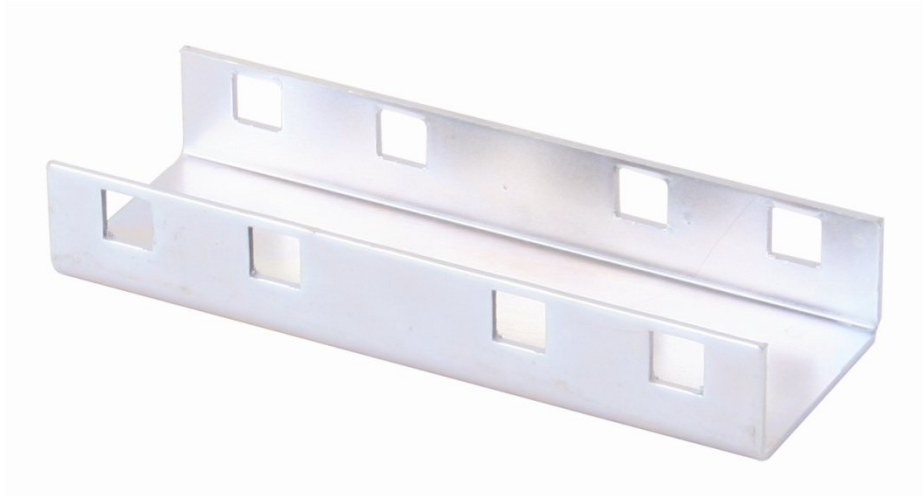


KIT D'ASSEMBLAGE DES ARMOIRES RACK



FEATURES

It is used for baying of cabinets , the vertical uprights can be connected to each other by using baying kit

COMPLIANCES

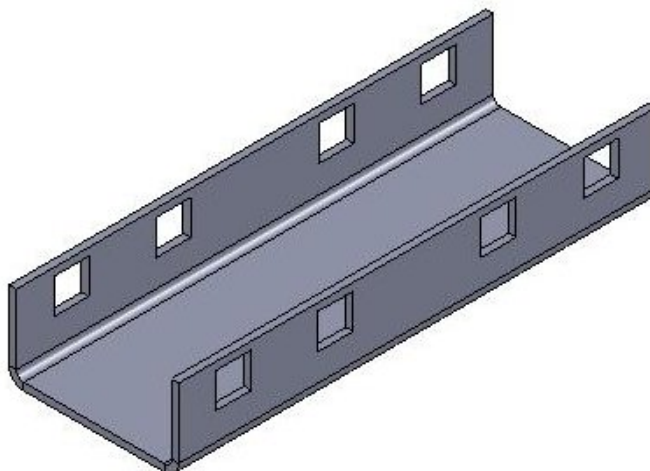
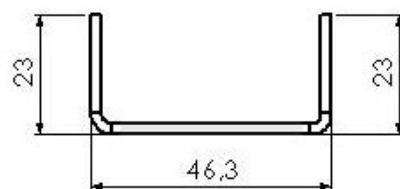
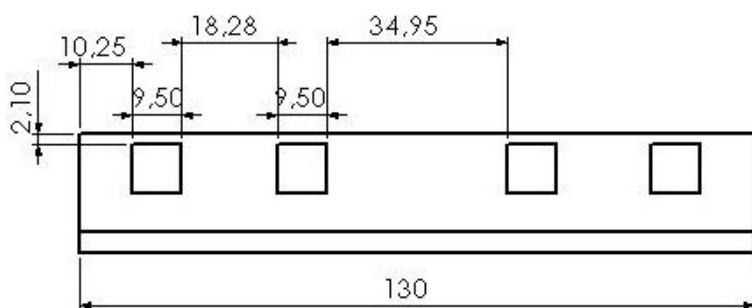
UL and cUL

Painting : Galvanized

Material Definition and Properties , Thicknesses and Shipment Configuration

| Part Definition | Material thickness | Material definition & properties | Shipment Configuration |
|-----------------|--------------------|----------------------------------|------------------------|
| Baying Kit | 2,0 mm | GALVANIZED | 1ea. |

KIT D'ASSEMBLAGE DES ARMOIRES RACK



Baying Kit

| MODEL NAME | Product Definition | Dimensions (wxdxh) mm |
|------------|-------------------------------------|-----------------------|
| RAP-ASSX-B | Baying kit for all type of cabinets | 46x130x23 |

Shipping Data

| MODEL NAME | quantity | Shipping Dimension (palette) WxHxD | Net Weight (kg) | Gross Weight (kg) |
|------------|----------|------------------------------------|-----------------|-------------------|
| RAP-ASSX-B | 26 | 560x425x122 | 23,66 | 24,33 |