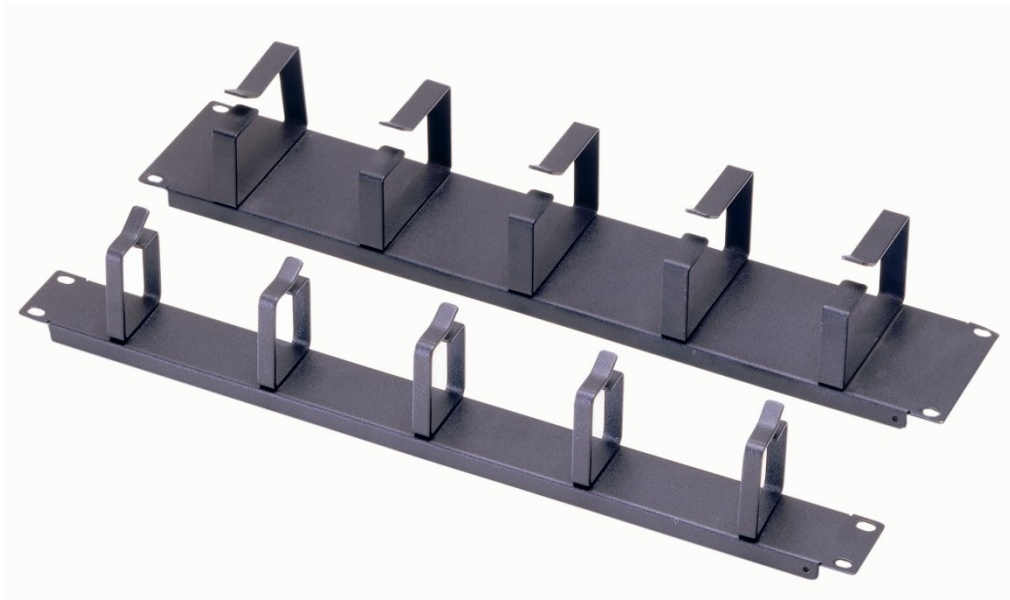


PLATINE PASSE CABLE



FEATURES

For a correctly managed installations , INFORM offers a full range of cable management accesories to to complement cabinet range and patch panel . The range is suitable for all 19"applications.

COMPLIANCES

UL and cUL

Surface Treatment : Fosfat coating

Painting : Ral9005

STANDARDS

*ISO 9001:2000

* IEC 60917 And IEC 60297

*Climatic and Environment:EN 61587-1/4.2,IEC60068-2-1 ,

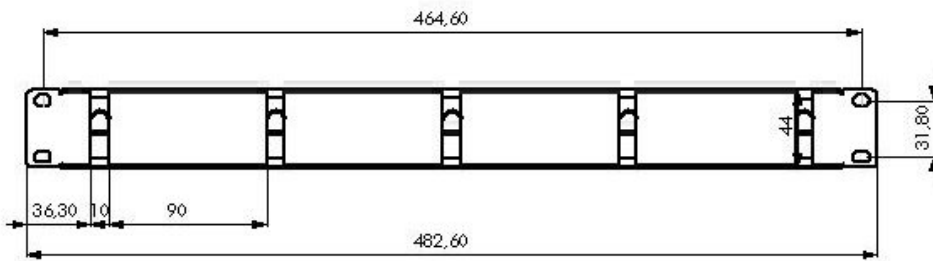
IEC60068-2-2 , IEC60068-2-30,

*Flammability:EN61587-1/6.3

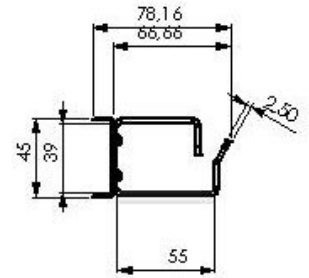
Material Definition and Properties , Thicknesses and Shipment Configuration

Part Definition	Material thickness	Material definition & properties	Shipment Configuration
Main Body	1,0 mm	DIN EN 10130 - 99 EREGLI DC-01 6112 CRS	1ea.
Rings	2,5 mm	DIN EN 10130 - 99 EREGLI DC-01 6112 CRS	5ea.

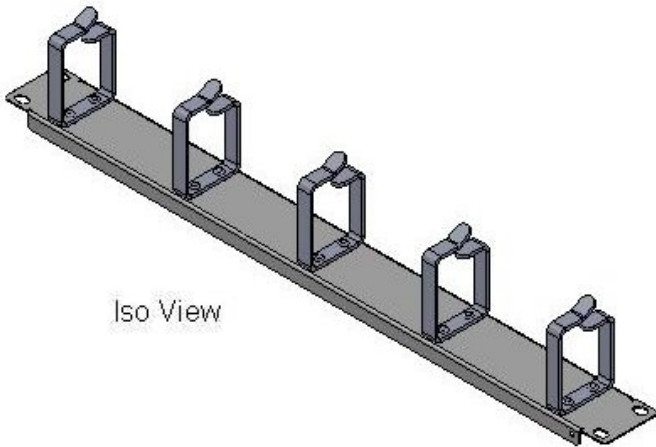
PLATINE PASSE CABLE 1U AVEC 5 ANNEAUX



Front View



Side View

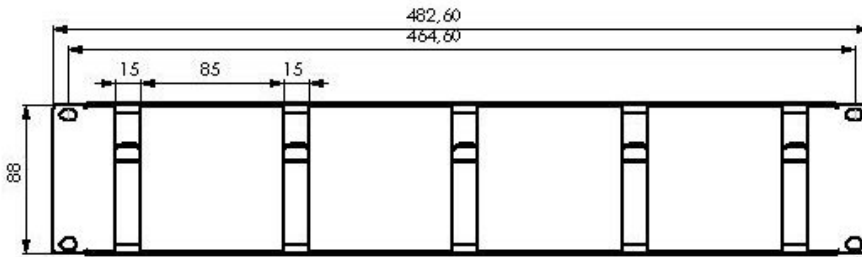


Iso View

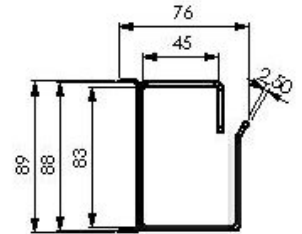
Cable Management

MODEL NAME	Product Definition	Dimensions (wxdxh) mm
RAP-PLAGUID1-B	1U 19" cable management panels with 5 rings	483x80x44

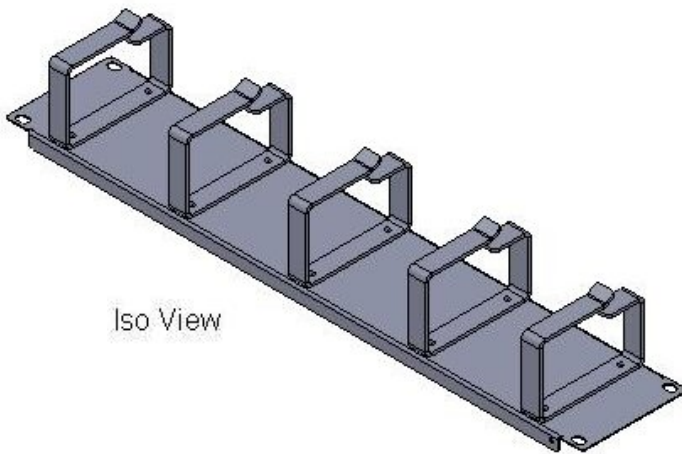
PLATINE PASSE CABLE 2U AVEC 5 ANNEAUX



Front View



Side View



Iso View

Cable Management

MODEL NAME	Product Definition	Dimensions (wxdxh) mm
RAP-PLAGUID2-B	2U 19" cable management panels with 5 rings	483x80x88