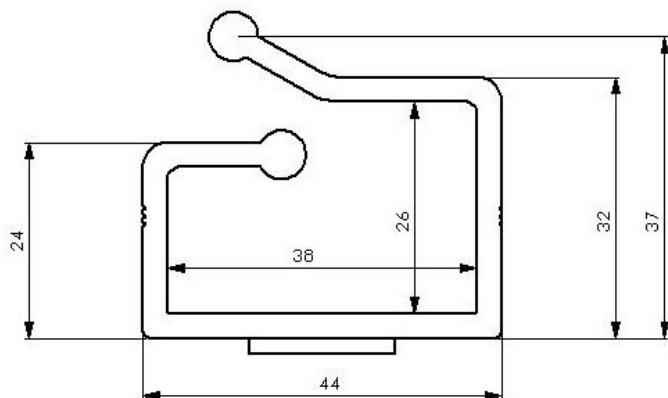
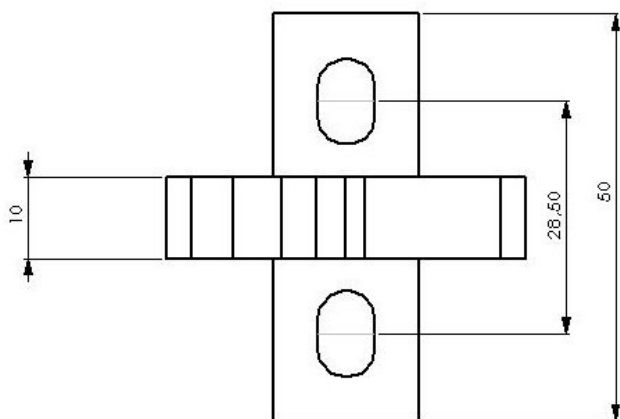


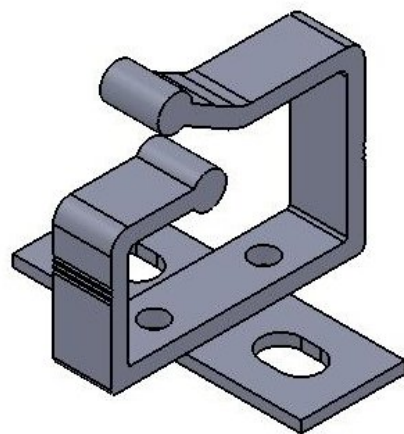
ANNEAU GUIDE CABLE 1U (44 X30MM)



Side View



Top View



Iso View



Ring for Cable Management 44x30 mm

MODEL NAME	Product Definition	Dimensions (wxdxh) mm
RAP-ANGUID1-30-B	Ring for cable management 44x30 mm 1set=5ea.	44x30

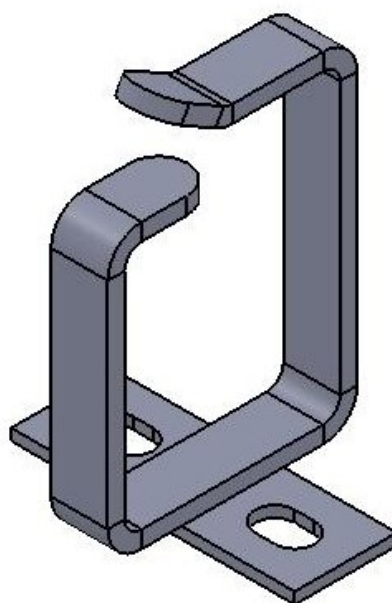
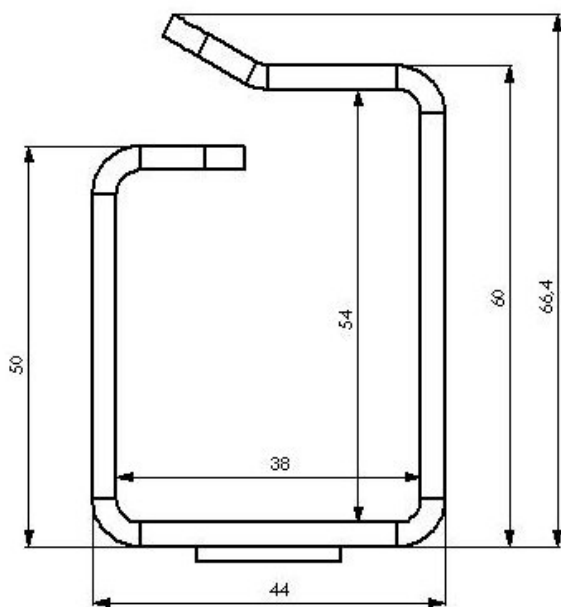
Shipping Data

MODEL NAME	quantity	Shipping Dimension (palette) WxHxD	Net Weight (kg)	Gross Weight (kg)
RAP-ANGUID1-30-B	26	560x425x122	7,80	8,45

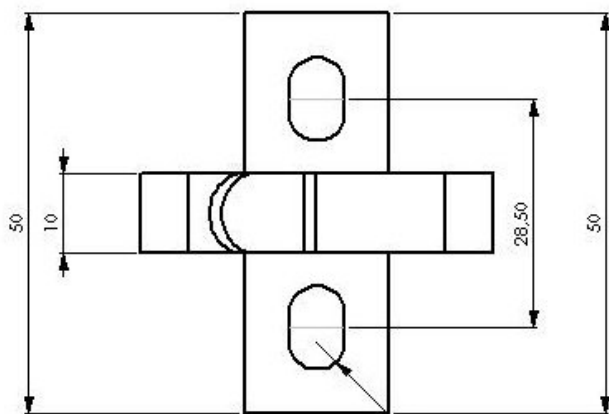
ANNEAU GUIDE CABLE 1U (44 X60MM)



Side View



Iso View



Top View



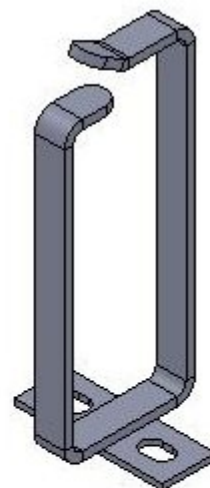
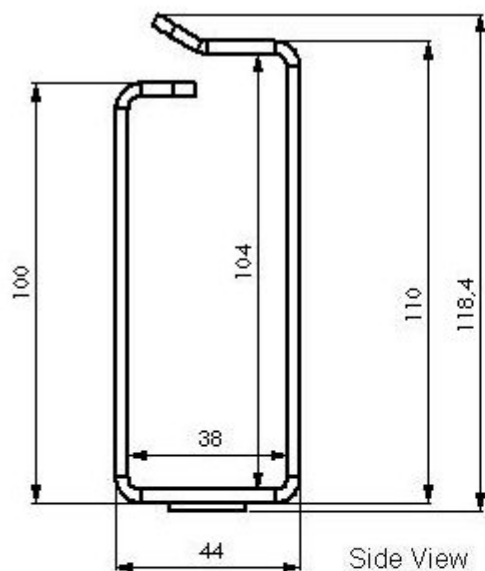
Ring for Cable Management 44x60 mm

MODEL NAME	Product Definition	Dimensions (wxdxh) mm
RAP-ANGUID1-60-B	Ring for cable management 44x60 mm 1set=5ea.	44x60

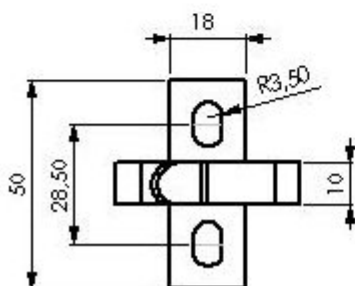
Shipping Data

MODEL NAME	quantity	Shipping Dimension (palette) WxHxD	Net Weight (kg)	Gross Weight (kg)
RAP-ANGUID1-60-B	26	560x425x122	9,152	9,800

ANNEAU GUIDE CABLE 1U (44 X100MM)



Iso View



Ring for Cable Management 44x100 mm

MODEL NAME	Product Definition	Dimensions (wxdxh) mm
RAP-ANGUID1-100-B	Ring for cable management 44x100 mm 1set=5ea.	44x100

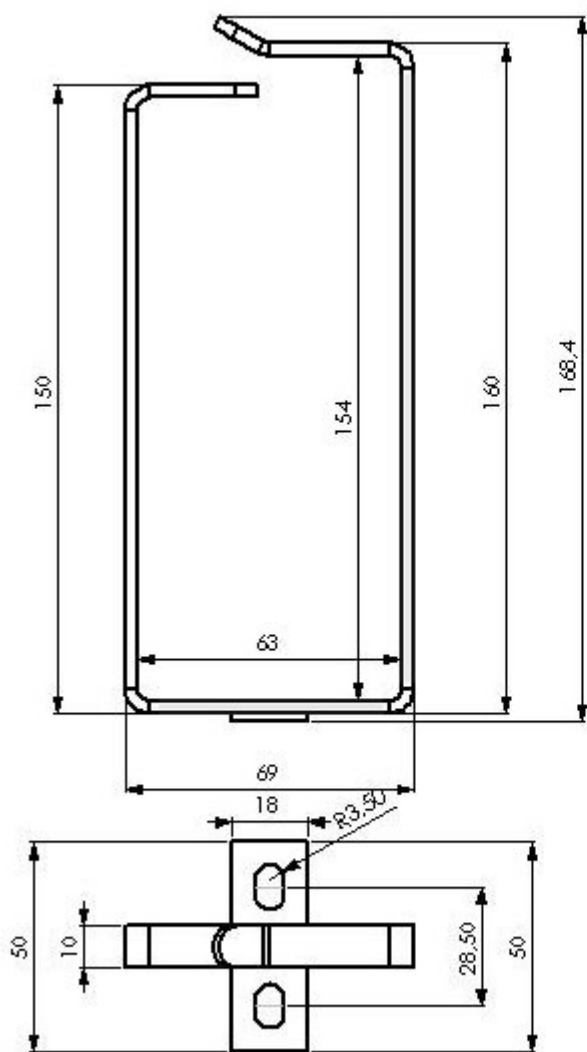
Shipping Data

MODEL NAME	quantity	Shipping Dimension (palette) WxHxD	Net Weight (kg)	Gross Weight (kg)
RAP-ANGUID1-100-B	26	560x425x122	12,480	13,150

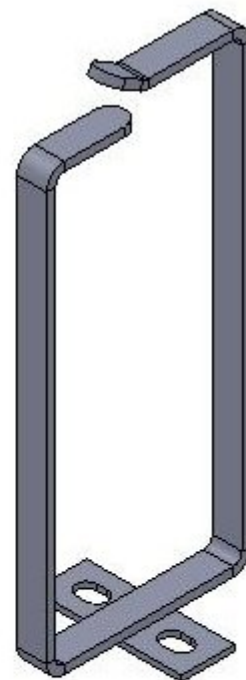
ANNEAU GUIDE CABLE 1U (44 X150MM)



Side View



Top View



Iso View



Ring for Cable Management 70x150 mm

MODEL NAME	Product Definition	Dimensions (wxdxh) mm
RAP-ANGUID1-150-B	Ring for cable management 70x150 mm 1set=5ea.	70x150

Shipping Data

MODEL NAME	quantity	Shipping Dimension (palette) WxHxD	Net Weight (kg)	Gross Weight (kg)
RAP-ANGUID1-150-B	30	560x430x480	19,620	21,000