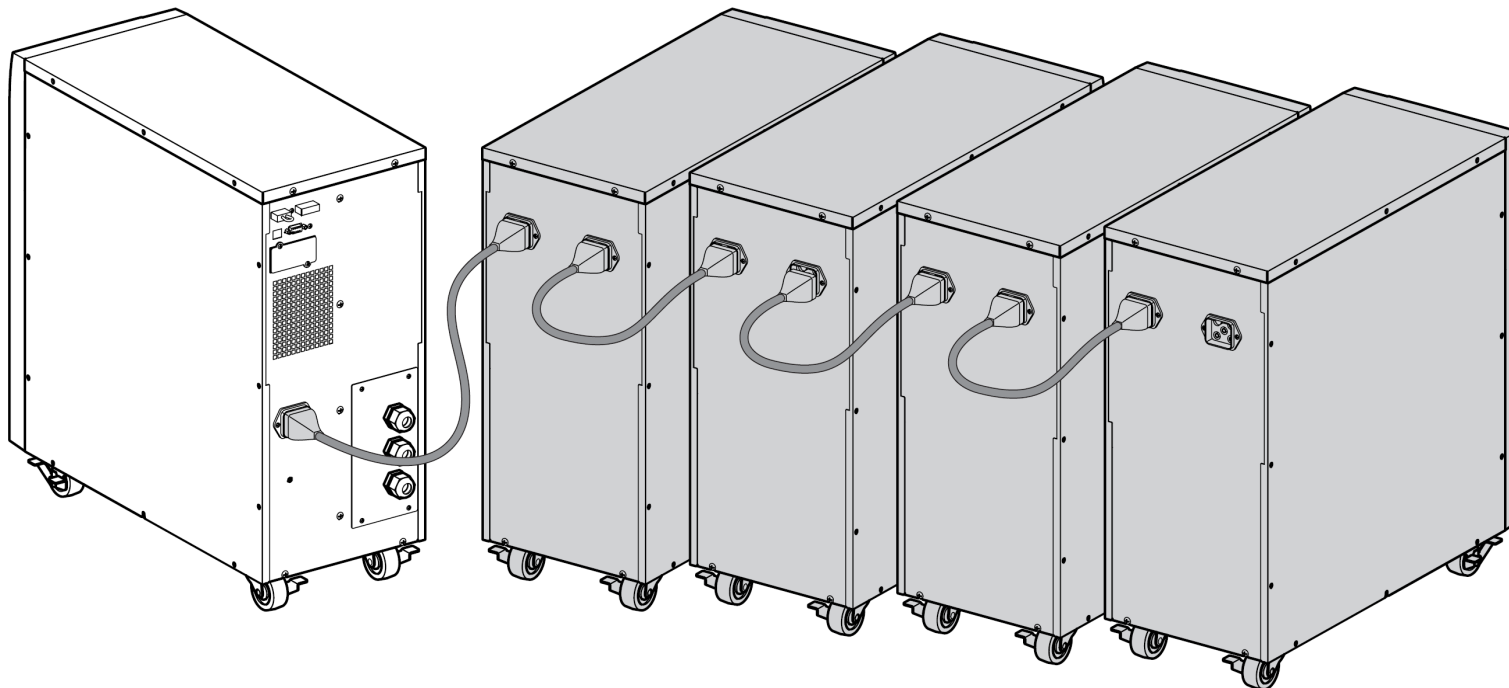


# EATON 9130 EBM

Installation manual

Manuel d'installation



**EATON**

*Powering Business Worldwide*

# Installation

## Connecting the EBM(s)



To install the optional EBM(s) for a UPS:

A small amount of arcing may occur when connecting an EBM to the UPS. This is normal and will not harm personnel. Insert the EBM cable into the UPS battery connector quickly and firmly.

1. Plug the EBM cable(s) into the battery connector(s). Up to four EBMs may be connected to the UPS.
2. Verify that the EBM connections are tight and that adequate bend radius and strain relief exist for each cable.
3. When using external battery cabinets, the number of EBMs should be set through the LCD panel in the "Battery settings" section, see "Configuring battery settings" below.

---

## Configuring Battery Settings

Set the UPS for the number of EBMs installed whether to run automatic battery tests, and automatic restart configuration.

### Configuring the UPS for EBMs

To ensure maximum battery runtime, configure the UPS for the correct number of EBMs:


1. Press any button on the front panel display to activate the menu options, then select SETTINGS, USER SETTINGS, and NUMBER OF BATTERY STRINGS.
2. Use the ↑ or ↓ buttons to select the number of battery strings according to your UPS configuration:

**Table 6. EBM vs number of Battery strings**

All UPS and EBM Cabinets	Number of Battery Strings
UPS only (internal batteries)	1 (default)
UPS + 1 EBM	3
UPS + 2 EBMs	5
UPS + 3 EBMs	7
UPS + 4 EBMs	9

**NOTE:** if 0 is selected, no batteries are connected and all battery-related alarms are disabled.

**NOTE:** the UPS contains one battery string; each EBM contains two battery strings.

3. Press the ← button to save the setting.
4. Press the  button until the start screen appears.