

USER'S MANUAL

192321782009000

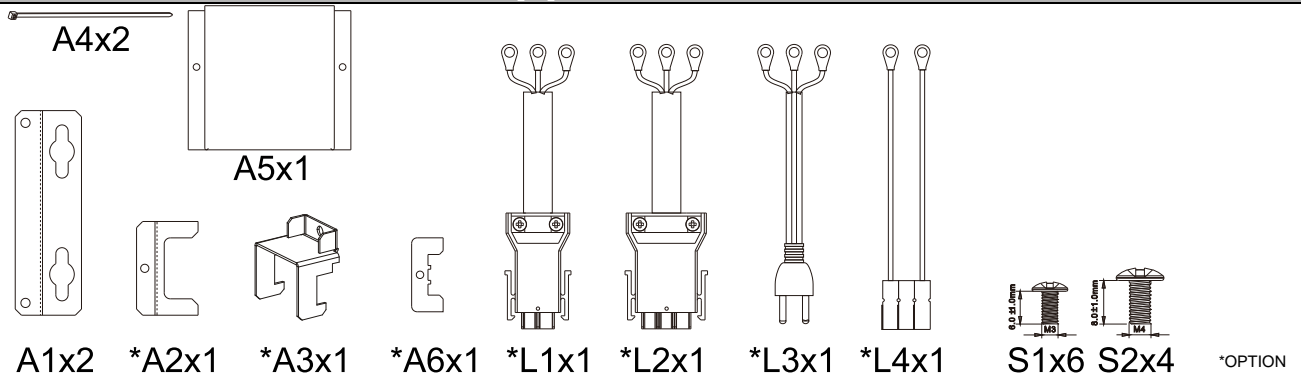
New 24,36,48,72VDC 3.1 A Charger Box

Neon lamp

Neon lamp bright : AC input Voltage on

Neon lamp dark : AC input Voltage off

Appendix



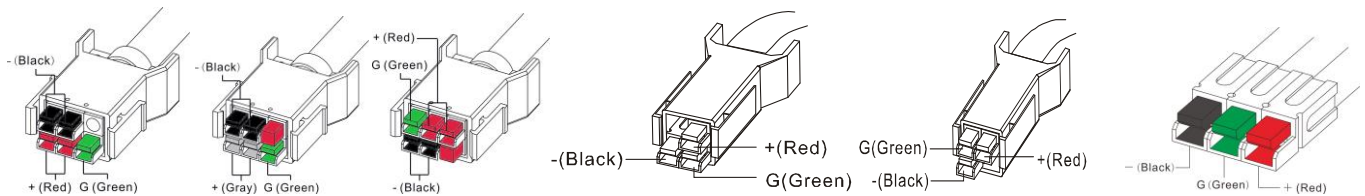
L1 wire types

AS RT/1K 24V AS RT/2K 48V AS RT/3K 72V

MP 1K 36V

MP 2K/3K 72V

AS TOWER 1K 24V/2K 48V/3K 72V

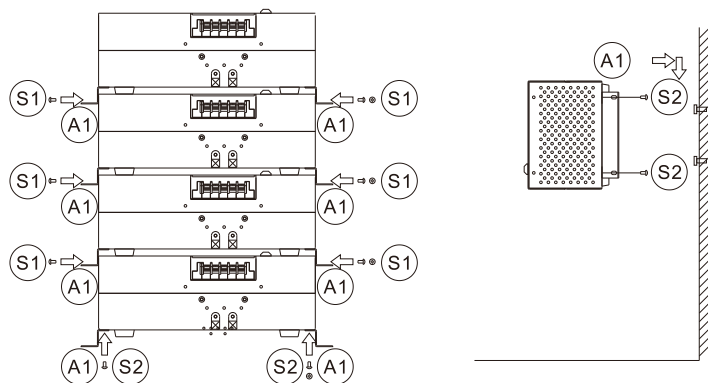


CAUTION: Please ensure the connector of charger locked tightly. To avoid the impedance happen between the male and female connector.

Placement of the Unit

Stack

Wall Mount



Set up

Connect Utility and DC Plug

