



VISION Rechargeable Products
Sealed Lead Acid Battery

www.vision-batt.com

HFS Series

High Rate Discharge

The new VISION HFS series batteries are specially designed for applications where need high power output. By optimum design of battery grids and plate paste formula, the UNA series can deliver up to 40% more power than VISION standard CP/FM series.

Shenzhen Center Power Tech Co., Ltd has more than 20 year's experience in the manufacturing of VRLA batteries.

SZCPT is one of the largest manufacturers of SLA (or VRLA) batteries in the world, the largest one in Mainland China and the first in China to develop and commercialize the sealed lead-acid battery with brand name VISION and has been at the forefront of battery technology from day one.

SZCPT leads the world in innovative battery technology. Our global network of sales and service engineers, backed in turn by our agents and distributors, means that we are currently active in more than 100 countries.

Shenzhen Center Power Tech. Co., Ltd

HFS12-320W-X 12V 320W

General Features

- Positive and negative plates in lead-calcium tin alloy
- Superior energy density
- Operates at a low internal pressure.
- Gas Recombination
- Usable in any orientation
- A recognized component of UL
- Case and cover available in both standard ABS and flame retardant ABS (UL 94-V0).
- Very high power output
- Application specific designs
- A couple Range from 90W to 540W per cell for 15' @ 1.67Vpc
- Six months shelf life at 20°C
- Design life 10 years
- Not recommended for more than 1 hours of power.



Dimensions and Weight

	Metric Units	English Units
Length	258mm	10.2inch
Width	166mm	6.54inch
Height	210mm	8.27inch
Total Height	215mm	8.46inch
Approx. Weight	24.5Kg	54.0lbs

Performance Characteristics

- Nominal Voltage 12V
- Number of cell 6
- Nominal Capacity 77°F(25°C)
 - 15 min wattage @1.67V 320W/cell
 - 10 hour rate (7.50A, 10.8V) 75Ah
 - 20 hour rate (4.00A, 10.5V) 80Ah
- Torque setting:8.5NM
- Internal Resistance
 - Fully Charged battery 77°F(25°C) ≤ 5.0mOhms
- Self-Discharge
 - 3% of capacity declined per month at 20°C(average)
- Operating Temperature Range
 - Discharge -20~60°C
 - Charge -10~60°C
 - Storage -20~60°C
- Max. Discharge Current 77°F(25°C) 700A(5s)
- Charge Methods: Constant Voltage Charge 77°F(25°C)
 - Cycle use 14.4V-14.7V
 - Maximum charging current 22.5A
 - Temperature compensation -30mV/°C
- Standby use 13.4V-13.8V
 - Temperature compensation -20mV/°C



Center Power Industrial Park, Tongfu Industrial District Dapeng Town, 518120 Shenzhen, China
Tel: 86 755 84318088 Fax: 86 755 84318038 E-mail: sales@vision-batt.com
Website: <http://www.vision-batt.com>

HFS12-320W-X 12V 320W

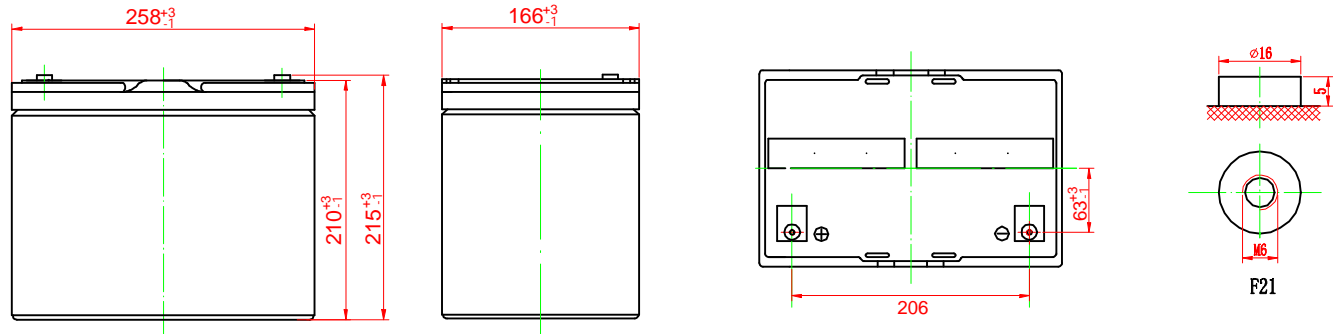
Discharge Data

Constant Current Discharge Data (Ampere at 25 °C)								
End Voltage Volts/Cell	5min	10min	15min	20min	25min	30min	45min	60min
1.60	349	237	183	150	125	113	83.6	65.8
1.67	310	219	170	141	120	108	80.2	63.4
1.70	292	210	164	136	115	105	78.3	61.1
1.75	259	192	154	129	107	100	75.3	59.2
1.80	227	177	144	122	102	93.8	70.1	55.1

Constant Power Discharge Data (Watts at 25 °C)								
End Voltage Volts/Cell	5min	10min	15min	20min	25min	30min	45min	60min
1.60	614	422	327	270	230	203	150	118
1.67	556	397	320	259	221	197	147	116
1.70	528	385	301	253	217	194	145	113
1.75	479	358	288	243	206	187	143	110
1.80	426	330	273	233	202	179	135	106

(Note) The above characteristics data are average values obtained within three charge/discharge cycles not the minimum values.
All data shall be changed without notice, Vision reserves the right to explain and update the information contained hereinto.

Performance drawings



HFS12-320W-X 12V 320W

