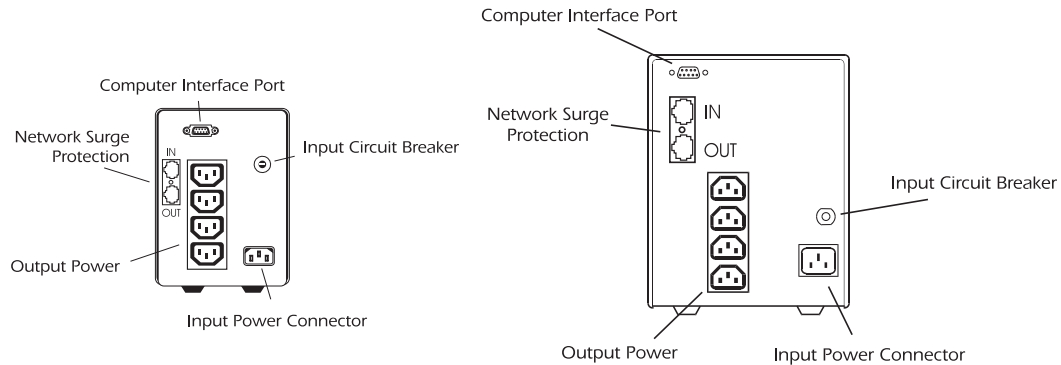


This UPS provides advanced 10Base-T network surge suppression as a standard feature through the modular connectors on the back panel.



280, 420 and 650 VA

1000 and 1400 VA

To use this feature, connect 10Base-T network cables to the network surge protection sockets on the back of the UPS. Connect the line from the network to the IN jack. Connect the network interface on the computer or workstation to the OUT jack on the UPS with another cable (not supplied). The RJ-45 modular sockets accept all standard 10Base-T connections.

*This connection is optional. It is not needed to use the UPS. The network surge suppression feature is compliant with IEEE 802.3 specifications. Do **not** connect a TNV voltage as defined in EN41003 (telephone equipment) to these connectors.*

American Power Conversion Corporation
132 Fairgrounds Road
P. O. Box 278
West Kingston, Rhode Island 02892
USA
1-800-800-4272
+1 401 789 5735

American Power Conversion Corporation
(A. P. C.) b. v.
Ballybritt Business Park
Galway
Ireland
1-800-702000
+353 91 702020